



TOWER
IMPULSE SEALER

Pedal type | Semi-automatic | Automatic | Hot printer

PEDAL TYPE

TI-SERIES

300,450,600 / (2, 5, 10)

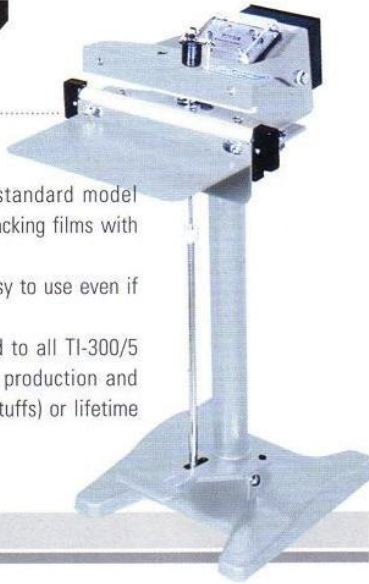
[TI-300/5]

Features

Tower Packing Machine's standard model instantly binds any kind of Packing films with excellent adhesive power.

These models are mobile, easy to use even if operators are inexperienced.

Hot printers can be attached to all TI-300/5 models to print date of the production and preservation period (of foodstuffs) or lifetime of the products.



Recommended Usage

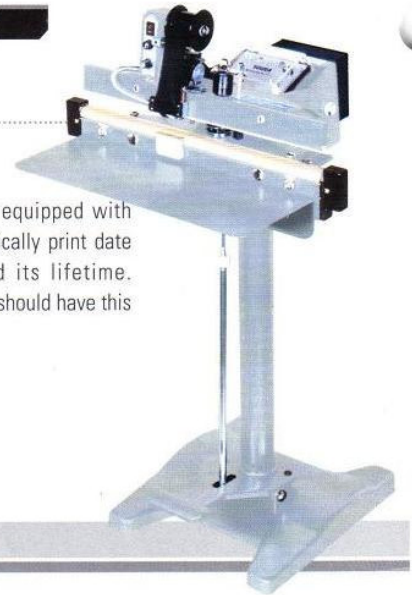
These models are recommended for manufacturers who need to pack many different item in small quantities. Also suitable for supermarkets, department stores for packing food stuffs and other small items, (parts and tools for the precision instruments etc.)

300(P),450(P),600(P)

[TI-450/5(P)]

Features

The standard model is equipped with hot-printer that automatically print date of the production and its lifetime. Foodstuff manufacturers should have this kind of utility.



Recommended Usage

Food manufacturers, Flourmills, Distributors with a lifetime limited products especially small-scale Food and Beverage factories.

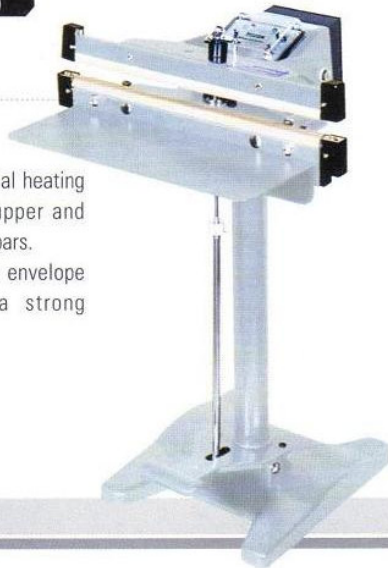
300(W),450(W),600(W)

[TI-450/5(W)]

Features

Order made model with dual heating plates attached to the upper and lower parts of the sealing bars.

Good for M-shape plastic envelope that usually require a strong adhesive power.



Recommended Usage

Best used for film factories where it manufactures M-shape plastic envelope or, factories in which an extensive amount of dusts are produced.

300(T),450(T),600(T)

[TI-450/5(T)]

Features

Height adjustable, standard packaging machine that is attached to the T-table.

This model is especially designed to handle "heavy and big" products. (Over 1Kilogram)



Recommended Usage

For the factories where large amount of particles or heavy materials i.e., are packed flourmills or grain processors and for items that require height adjustment during packing.

SEMI-AUTOMATIC TIS-SERIES

300,450,600/(2,5,10)

[TIS-300/5]

Features

Equipped with solenoid valve, these models automatically adjust packaging at intervals in accordance with the pre-fixed condition, and provide constant work result.



Recommended Usage

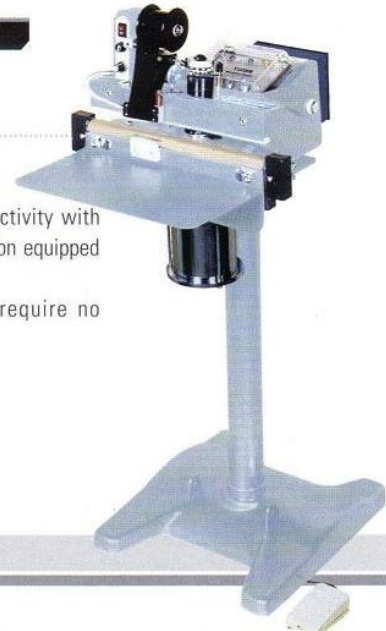
Cost effective, ideal choice if applied to the automatic and mass production line.

300(P),450(P),600(P)

[TIS-300/5(P)]

Features

Provide excellent productivity with automatic packing function equipped with hot-printer. Easy to operate and require no specific skill.



Recommended Usage

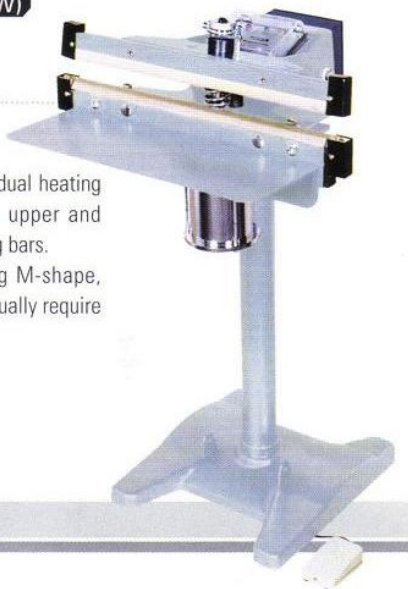
Suitable for those products that need to be packed with specific data or, information such as date of production, preservation period or lifetime, batch numbers etc.

300(W),450(W),600(W)

[TIS-450/5(W)]

Features

Order made model with dual heating plates attached at the upper and lower parts of the sealing bars. Good for manufacturing M-shape, plastic envelopes that usually require strong adhesive power.



Recommended Usage

Best use for factories where handling films, M-shape, plastic envelopes or, packing fertilizers. Also recommended for factories that produce extensive amount of the dusts.

300(H),450(H),600(H)

[TIS-300/5(H)]

Features

With angle-adjustable packing seats that prevent material overflow, this model is especially designed for packing liquid products or materials that easily overflow during packing process.



Recommended Usage

Ideal solution for packing comparably large amount of liquid products, heavy and juicy instant foods etc. into the just-fit size of packs.

PEDAL TYPE HOT PRINTER-SERIES

TPF-1 Line, 2 Line

Features

Using compressed, high-temperature printing system, TPF type printers provide simple and easy printing of the product data



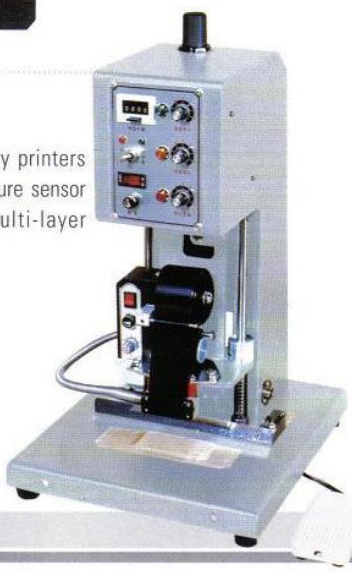
Recommended Usage

Suitable for the vacuum sealers, distributors (of various kinds of small products) in packing powder & foodstuffs, repacking imported products etc.

TPA-1 Line, 2 Line

Features

Automatic, high-efficiency printers equipped with a temperature sensor that enables to print multi-layer packing films.



Recommended Usage

Recommended for the foodstuff fillers or manufacturers, vacuum sealers with auto-packing mass-production units.

Type-metal & Printing Film

Features

Hot-printed contents in a variety of colorful designs that do not easily fade away and almost anti-abrasive type metals that are made of brass (copper alloy) to ensure maximum lifetime and clear printings.

