

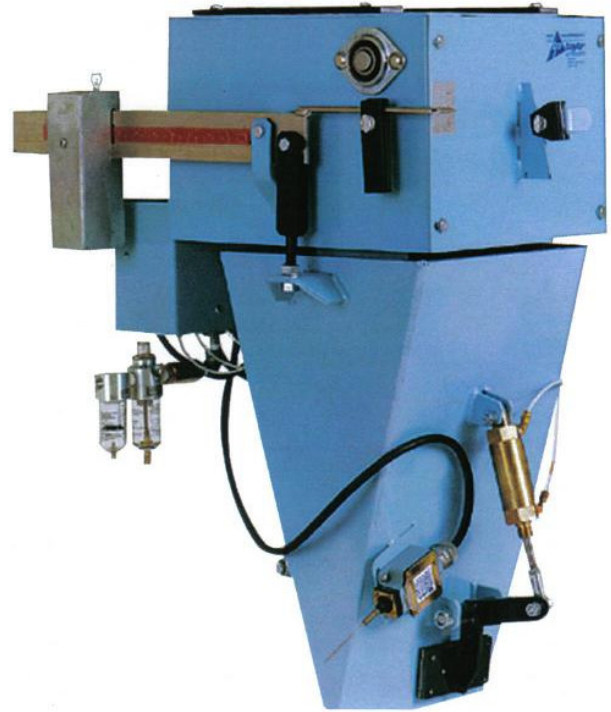
OM SERIES

Open Mouth Bag Scale

The OM Series scale utilizes Taylor Products' patented beam scale and is self dampening, and the weight pointer and calibration adjustment are located directly on the beam. The OM Series flow control regulates the speed of material going through the scale. The series includes both manual mechanical and automatic air/electric models.

Simple but Accurate Weighing on Patented Beam Scale Design

- Up to 12 bags per minute
- 15 lb to 125 lb capacity
- Granules
- Feed
- Seed
- Grain



Alta Tecnología en Envasado, S.A. de C.V.



ALTA

<http://www.altatech.com.mx>

NEWLONG



Oficina Matriz
Poniente 150 No. 838 B-1
Col. Industrial Vallejo Del. Azcapotzalco
C.P. 02300 México D.F.
Tel. 5567-1247 Fax. 5567-0791
e-mail: ventas@altatech.com.mx

Sucursal Querétaro
Calle Kellogg's No. 8 Parque Industrial
El Pueblito C.P. 76900 Corregidora, Qro
Tels. (422) 225 4002 225 3004 225 3633
e-mail: altaqro@altatech.com.mx

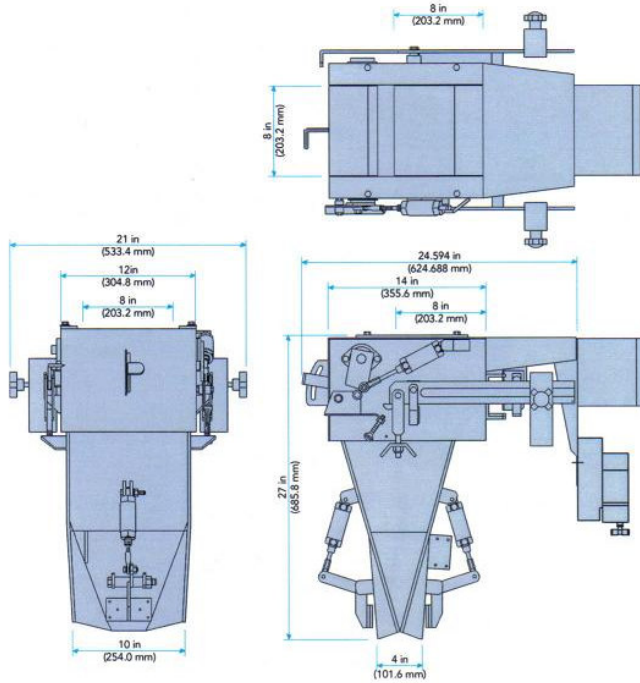


Dependable, versatile packaging automation systems and equipment.
Solutions that fit. It's the foundation of our business. Established 1969.

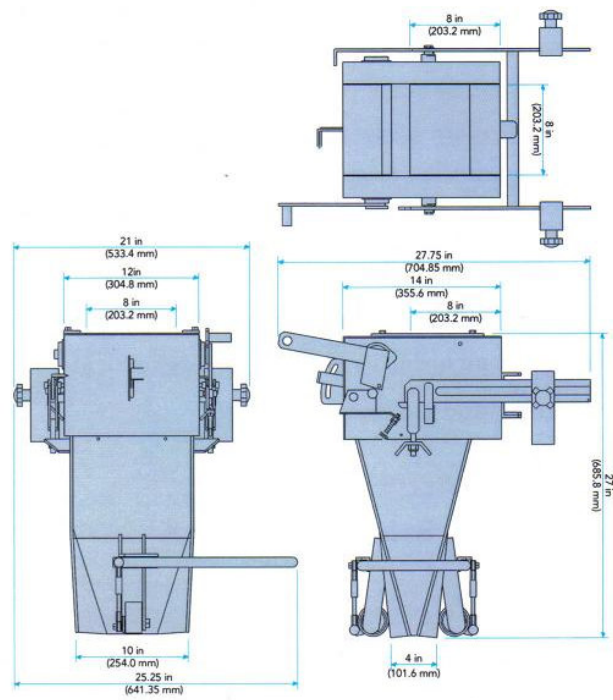


Diagram dimensions are for reference only

**OM2A
AUTOMATIC / BEAM**



**OM2
MANUAL / BEAM**



Dimensions	30.0 in x 25.0 in x 27.0 in (762 mm x 635 mm x 685.8 mm)
Speed	Up to 12 BPM
Accuracy	± 0.4 lb
Weight Range	15 – 125 lbs
Scale	Beam
Construction	Carbon Steel Blasted and Painted
Electrical Requirements	115 V, single phase (on OM2A only)
Air Requirements	100 psi, 2 cfm (on OM2A only)
Popular Options	Stainless Steel Construction, Shock Absorber, Belt Feeder, Valve Bag Adapter

Note: Equipment selection may be verified in the Taylor Products test lab.



©2007 Magnum Systems, Inc. All rights reserved. Catalog number: MS.1034.0807



www.taylorproducts.com
Toll Free 888.882.9567 Phone 620.421.5550 Fax 620.421.5531
2205 Jothi Avenue, Parsons, Kansas 67357